
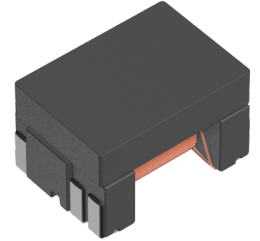


ALT4532M-201-T001



<b>Applications</b>	for Consumer / Industrial
<b>Product Type</b>	Transformers
<b>System</b>	10BASE-T 100BASE-TX 1000BASE-T
<b>Features</b>	<span style="border: 1px solid green; padding: 2px;">Auto Prod.</span> Automated Production
<b>Series</b>	ALT
<b>Status</b>	 Production
<b>Brand</b>	TDK



Size	
Length(L)	4.50mm ±0.20mm
Width(W)	3.20mm ±0.20mm
Height(H)	2.90mm Max.

Electrical Characteristics	
Turns Ratio	1CT:1CT
Inductance	200µH Min. at 100kHz, DC bias 8mA
Insertion Loss	1.5dB Max. [0.1 to 100MHz]
Inter-winding Stray Capacitance	35pF
Withstanding Voltage	Compliant with IEEE 802.3, Impulse 2400V 1.2/50µs

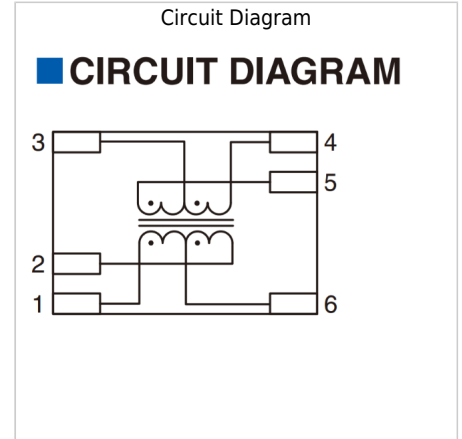
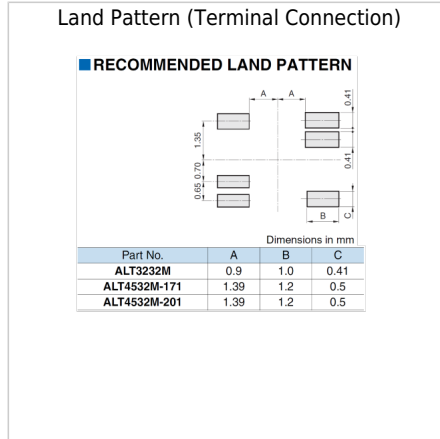
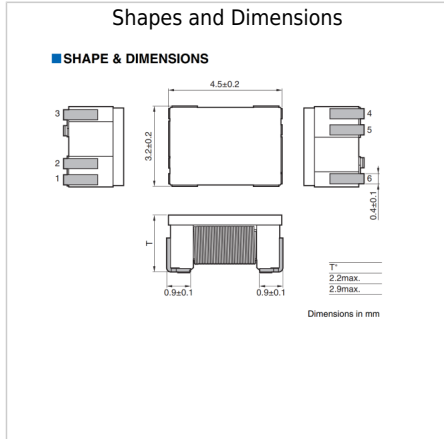
Other	
Operating Temp. Range	-40 to 85°C
AEC-Q200	No
Packing	Embossed (Plastic)Taping [330mm Reel, Tape width 12mm]
Package Quantity	2000pcs
Weight	0.16g

! Images are for reference only and show exemplary products.  
! This PDF document was created based on the data listed on the TDK Corporation website.  
! All specifications are subject to change without notice.

ALT4532M-201-T001



## Associated Images



! Images are for reference only and show exemplary products.  
! This PDF document was created based on the data listed on the TDK Corporation website.  
! All specifications are subject to change without notice.