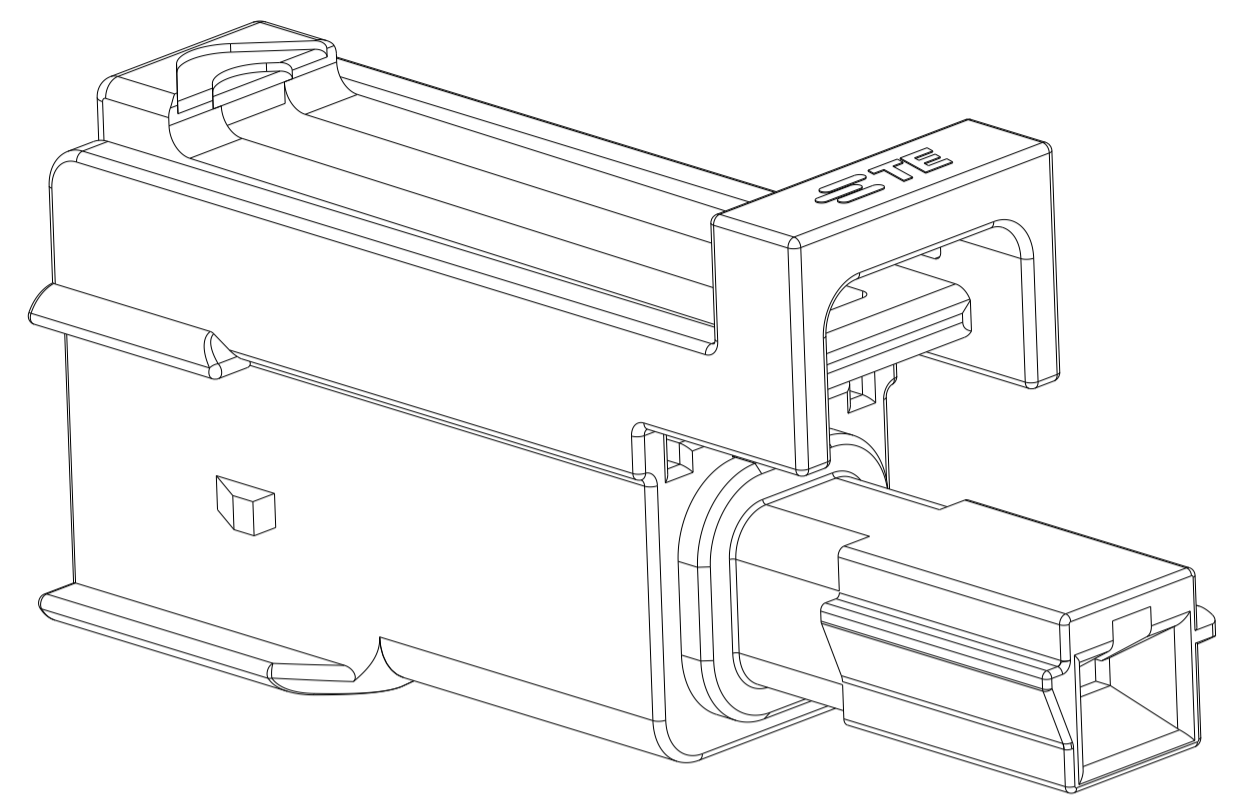
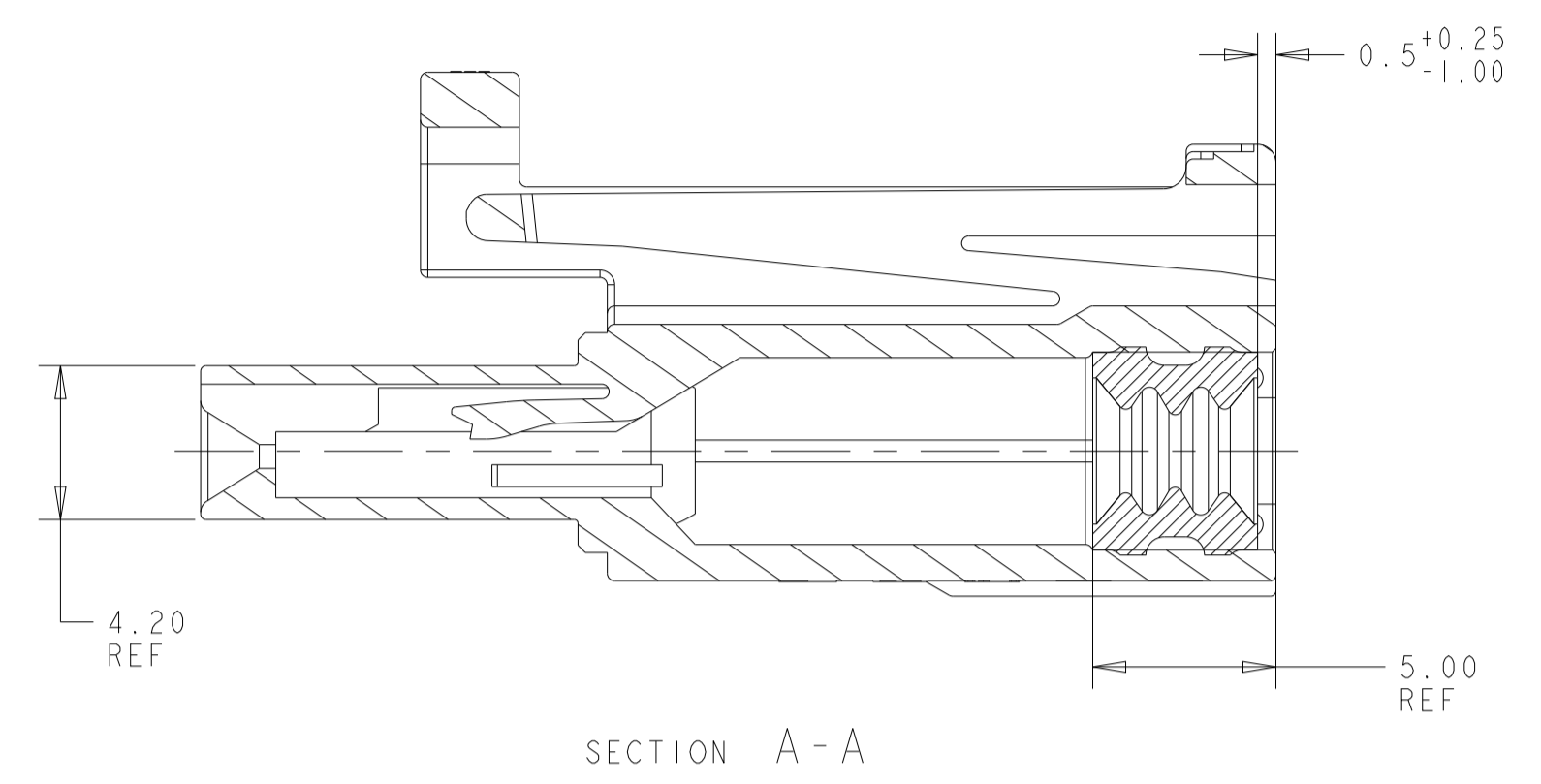
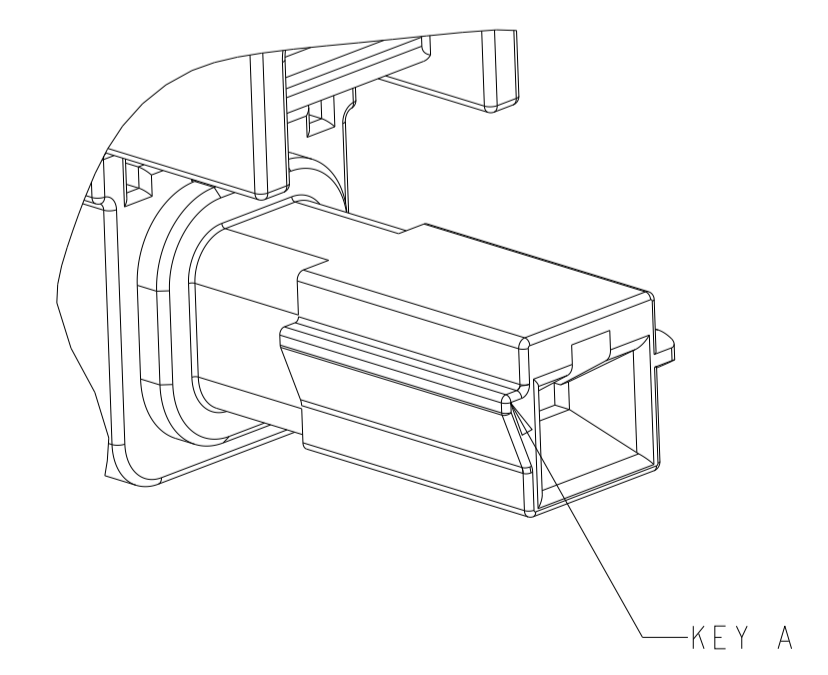
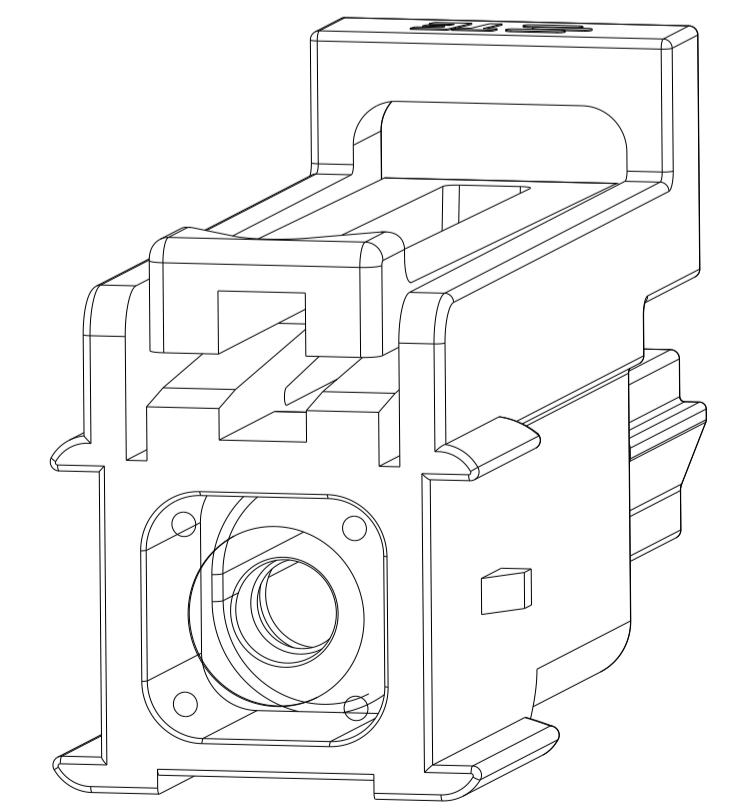
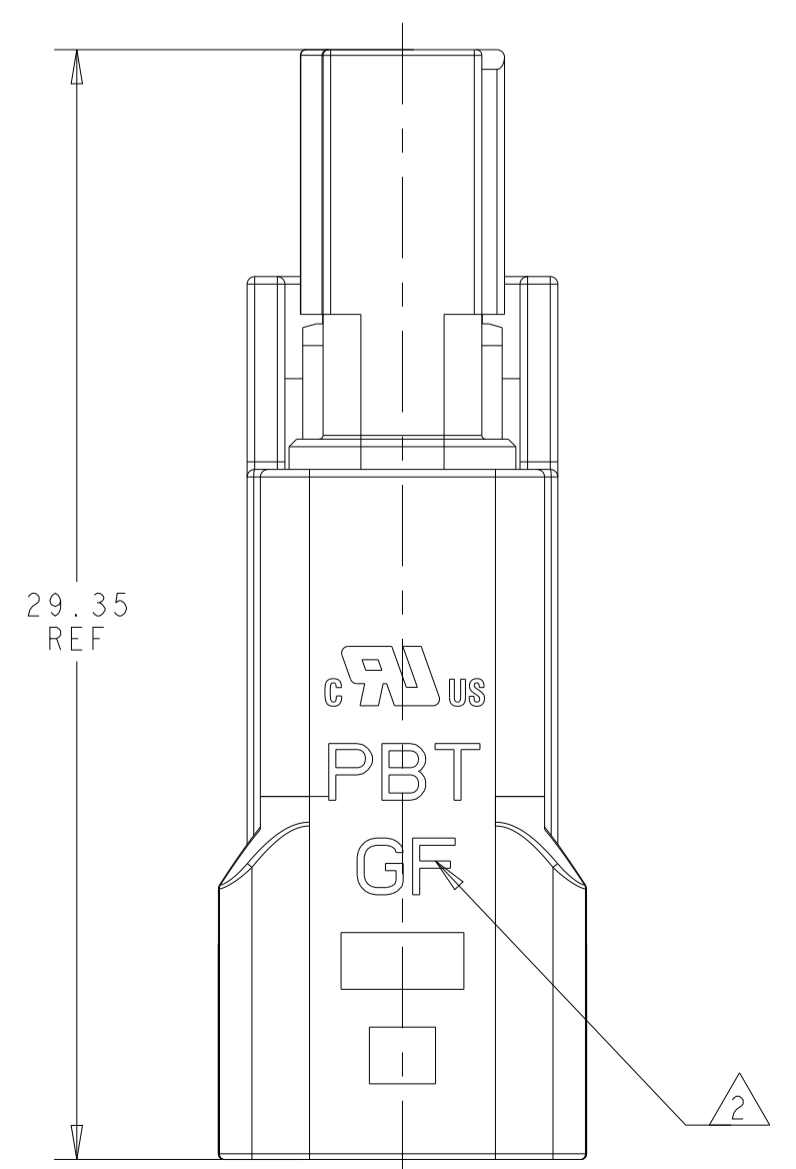
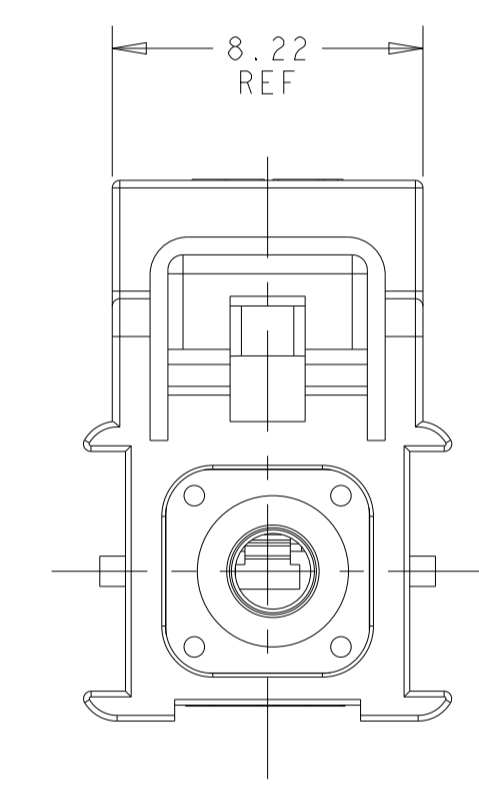
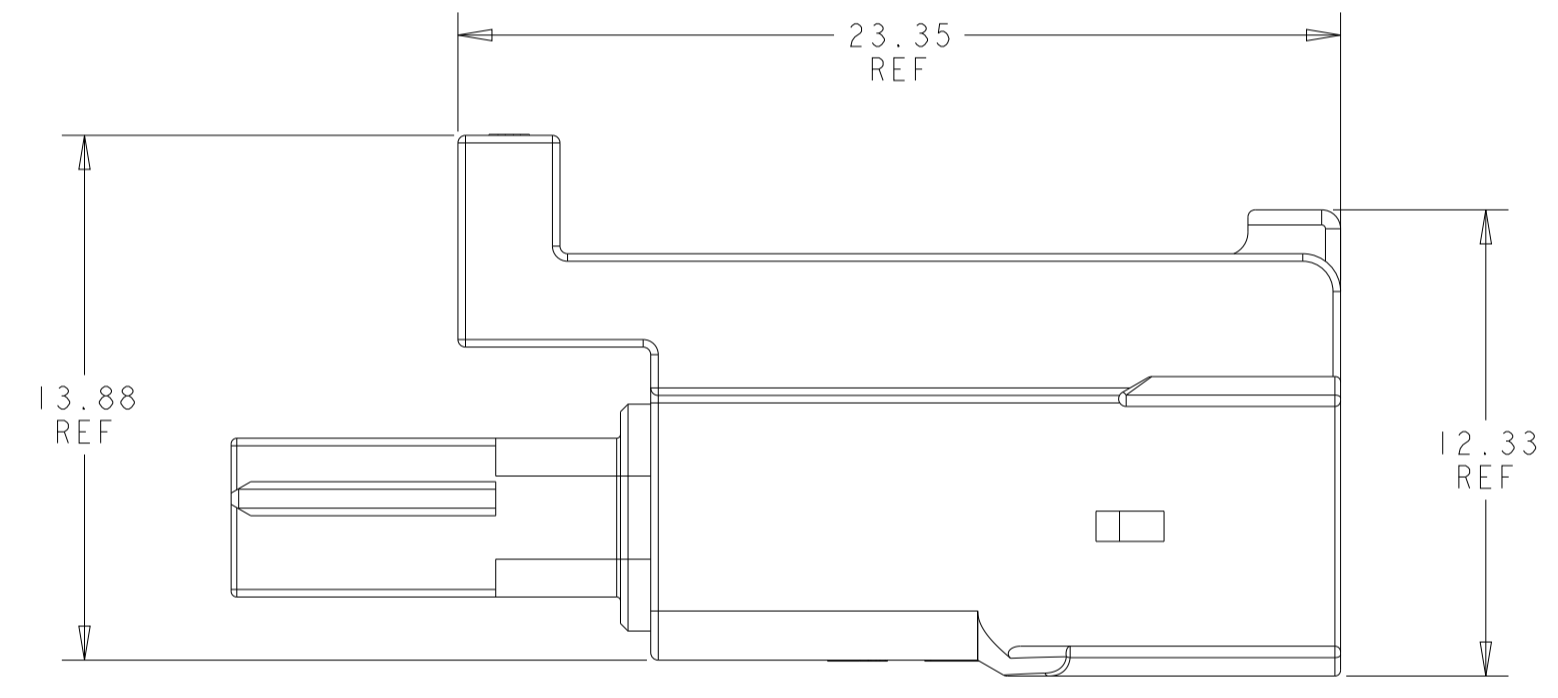
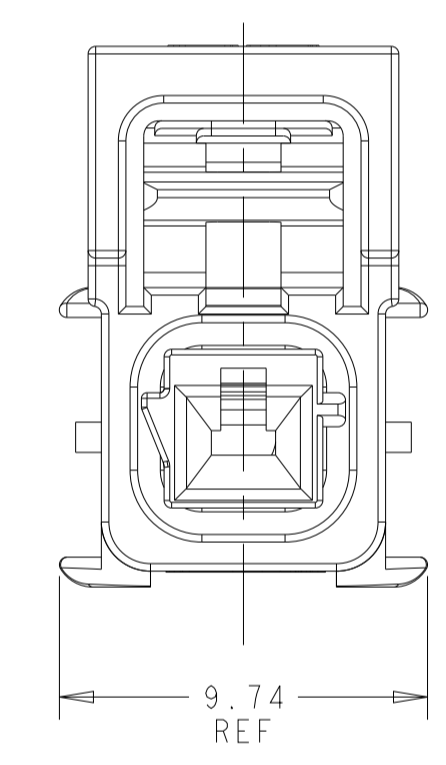


REVISIONS				
P	LTN	DESCRIPTION	DATE	APVD
1		PRELIMINARY RELEASE	02AUG2021	SS VS



- 1. MATERIAL: PBT, GLASS FILLED WITH RUBBER GANG SEAL PRE-INSTALLED. GANG SEAL WIRE INSULATION RANGE IS 2.45 TO 3.60 MM. KEY A: NATURAL
- 2. MATERIAL MARK: PBT GF
- 3. APPLICABLE CONTACT P/N: 2329914-*/2329916-*/2329917-*
- 4. MATING CONNECTOR P/N MATES WITH: *-2391574-1, *-2345729-1
 BACK COVER: 2334614-1
 INTERFACE SEAL: 2325347-1
 GANG SEAL: 2325349-1
- 5. FLAMMABILITY RATING: UL94 V-0
- 6. PRELIMINARY PART, NOT RELEASED FOR PRODUCTION

THIS PRODUCT HAS NOT COMPLETED QUALIFICATION TESTING



THIS PRINT IS
PRELIMINARY
 UNQUALIFIED PRODUCT
 CONTACT PRODUCT ENGINEERING
 BEFORE USING THIS PRINT

BLUE SEAL COLOR	2325349-1 SEAL P/N	KEY A KEYING	1*1 POSITIONS	1-2391573-1 PART NUMBER
THIS DRAWING IS A CONTROLLED DOCUMENT.		OWN S. SHINDE 02AUG2021 CHK D. SWARTZ 02AUG2021 APVD V. SHELTA 02AUG2021	NAME PRESEALED PLUG HOUSING POWER VERSA-LOCK	
DIMENSIONS: mm	TOLERANCES UNLESS OTHERWISE SPECIFIED:	SIZE CAGE CODE DRAWING NO RESTRICTED TO		
0 PLC ±0.2	1 PLC ±0.10	A100779C=2391573		
2 PLC ±0.10	3 PLC ±0.10	SCALE 5:1 SHEET 1 OF 1 REV		
4 PLC ±0.10	ANGLES ±1°	CUSTOMER DRAWING		
MATERIAL	FINISH	WEIGHT		