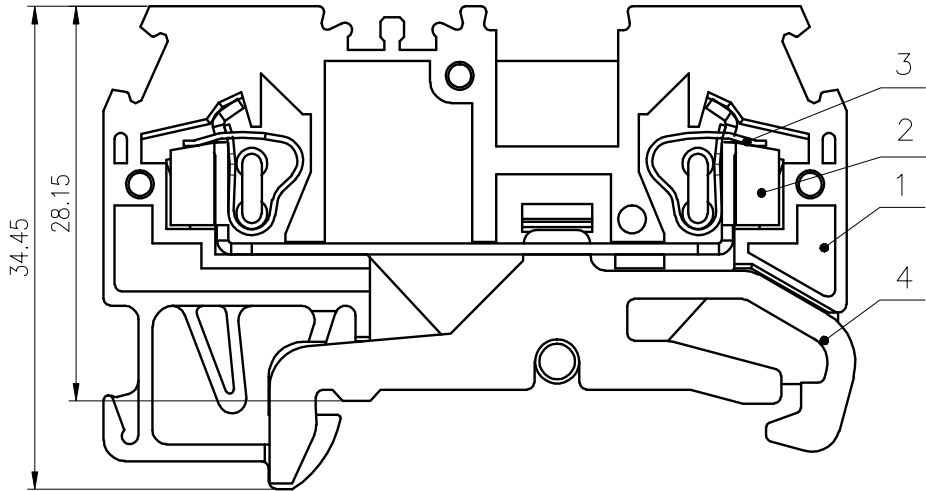


| 未注公差/General tolerances(mm) |       |       |       |       |       |       |       |       |       |       | D<br>0.1/10 |       |       |
|-----------------------------|-------|-------|-------|-------|-------|-------|-------|-------|-------|-------|-------------|-------|-------|
| 0                           | >3    | >6    | >10   | >18   | >30   | >50   | >80   | >120  | >180  | >250  |             | >315  | >400  |
| ±0.12                       | ±0.18 | ±0.22 | ±0.26 | ±0.31 | ±0.37 | ±0.57 | ±0.80 | ±0.93 | ±1.05 | ±1.15 | ±1.60       | ±2.20 | ±2.50 |
|                             |       |       |       |       |       |       |       |       |       |       |             |       | Z     |

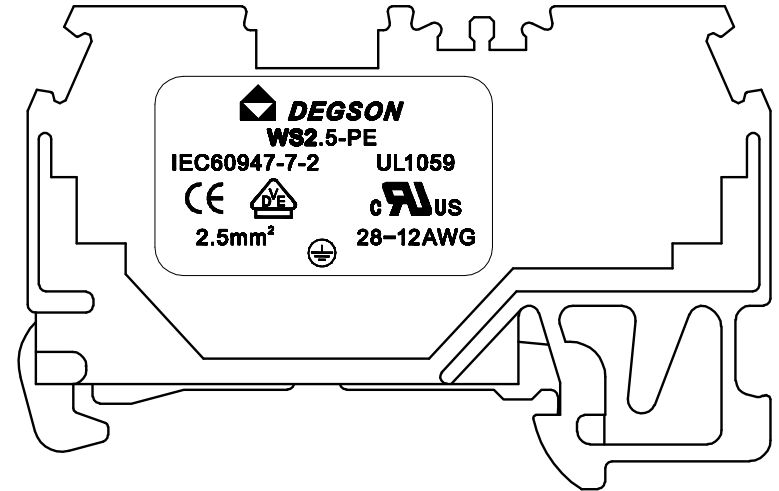
A



B



C



D

|   |               |   |   |
|---|---------------|---|---|
| UL 标准/UL Standard:                                  | B             | C | D |
| 额定电压/电流/Rated Voltage(V)/Current(A)                 | /             | / | / |
| IEC 标准/IEC Standard:                                |               |   |   |
| 过压类别/Overvoltage Category/污染等级/Pollution Degree     | III/3         | / | / |
| 额定电压/电流/Rated Voltage(V)/Current(A)                 | /             | / | / |
| 额定脉冲电压(kV)/Rate Impulse Voltage(kV)                 | 8.0           | / | / |
| 线径范围(硬线和软线)/Wire Range(rigid and flexible)(mm²/AWG) | 0.2~2.5/28~12 |   |   |
| 间距/Pitch(mm)  | 5.0           |   |   |
| 剥线长度/Stripping length(mm)                           | 8-9           |   |   |
| 使用温度范围/Operating temperature(°C)                    | -40~+105      |   |   |
| 符合RoHS环保要求/Conform to RoHS                          | Yes           |   |   |
| 标准颜色编号/Standard color number:<br>PANTONE / RAL      | /             |   |   |

| 4    | Ground Pin      | Copper alloy    | Sn plated |
|------|-----------------|-----------------|-----------|
| 3    | Spring          | Stainless steel |           |
| 2    | Current Carrier | Copper          | Sn plated |
| 1    | Housing         | PA66            | UL94V-0   |
| ITEM | NAME OF PART    | MATERIAL        | NOTES     |

| REV | ECN | DESCRIPTION | DRFT | DATE |
|-----|-----|-------------|------|------|
|     |     |             |      |      |

|                         |                              |                        |                      |
|-------------------------|------------------------------|------------------------|----------------------|
| MATERIAL:               | SURFACE:                     |                        |                      |
| MAT NO.:                | /                            |                        |                      |
| STATUS:                 | /                            |                        |                      |
| APPD: LiGL 2020.05.27   | NAME: WS2.5-PE-01P-1C-00A(H) |                        |                      |
| CHKD: MaoJ 2020.05.27   | DRAWING NO.: WS2.5-PE-C01    |                        |                      |
| DRFT:ZhengQG 2020.05.27 | REV                          | TO                     |                      |
| ④                       | SIZE: A4                     | TYPE: CUSTOMER DRAWING | SCALE: 2:1 SHEET 1/1 |